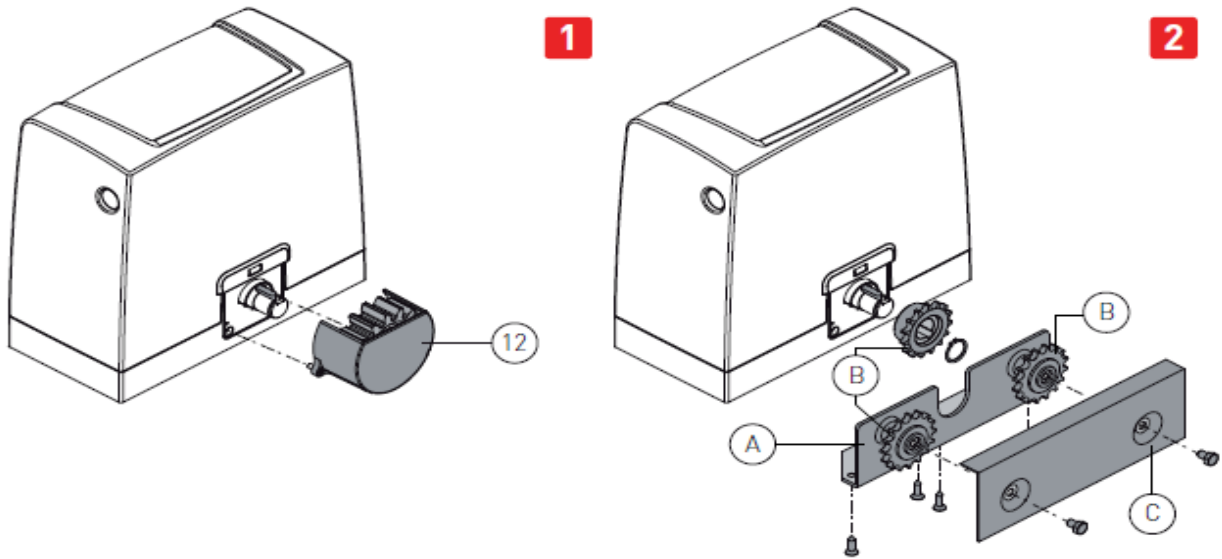


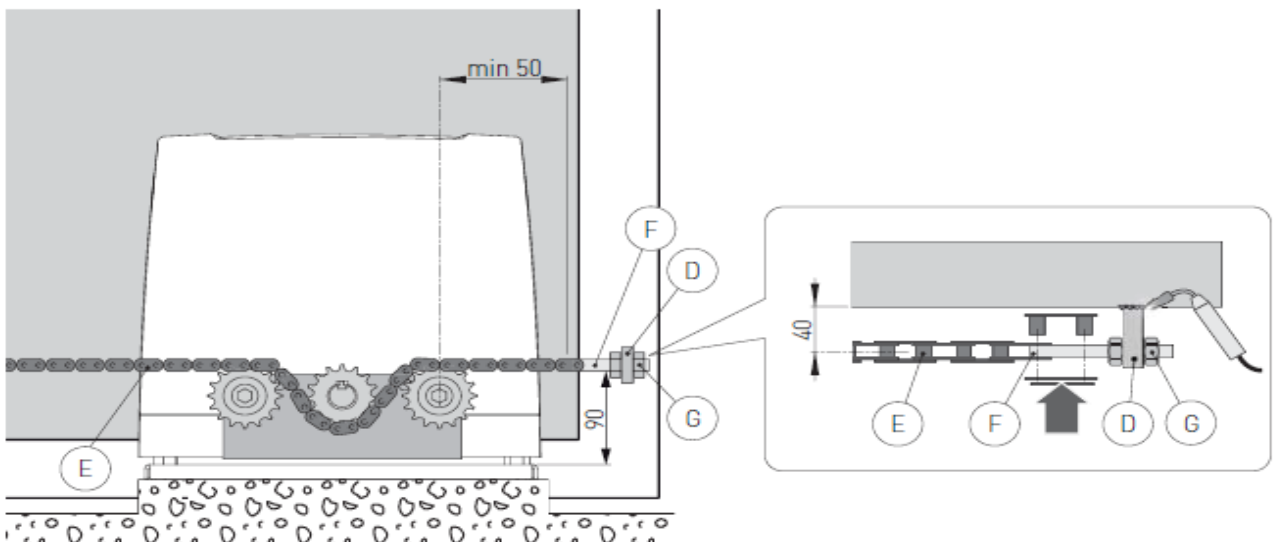
NES100CKT

7.7 Chain drive kit installation



NB: Install the chain drive kit before securing the gearmotor to the base plate.

- Release the gearmotor (see OPERATING INSTRUCTIONS).
- [1] Remove pinion [12].
- [2] Fix pinion supporting plate [A] to the gearmotor.
- Insert pinions [B] as illustrated in the diagram.
- [3] Pass the chain between the pinions by hand.
- Fix cover plate [C].



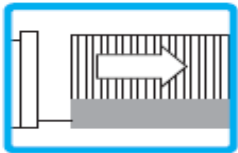
- Move the wing into the open position by hand and fix brackets [D] on the wing as illustrated in the diagram.
- Connect chain [E], which was previously assembled on the gearmotor, to tie rod [F] and fix it to bracket [D].
- Fix bracket [D] on the opposite side of the gate. Connect chain [E] to tie rod [F] and fix it to bracket [D] (cut the excess chain).

NB: Make sure that the distance between the pinion centre and tie rod [F] is correct when the gate is fully open and closed.

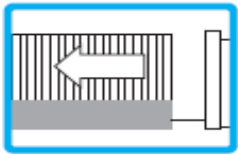
- Secure the chain with nuts [G].
- Tighten the chain [E] with the tie rods [F].
- Slightly lubricate the chain [E] and the pinions after assembly.



WARNING: when the chain traction kit is fitted, the gearmotor drive direction is inverted.



LF Right-hand opening



RT Left-hand opening